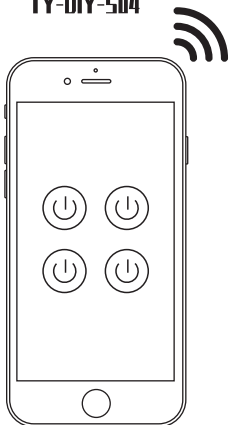


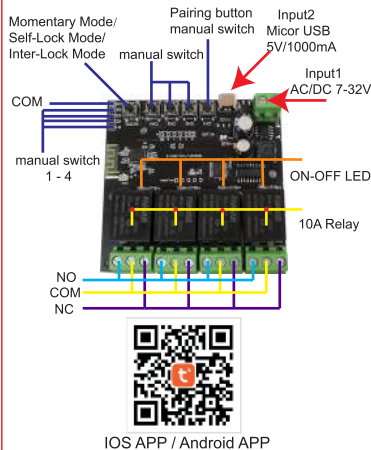
WiFi Smart Control TY-DIY-504



⚠ Checklist before using the device:

1. Your USB power adapter should be more than 800mA output
2. Your smart phone or tablet should have connected a 2.4G WiFi internet
3. The device only supports 2.4G WiFi. If you use a 5G router (it provides two WiFi Signal: 5G and 2.4G), please select the 2.4G WiFi to connect your smart phone.
4. Download and install the Tuya Smart APP or Smart Life APP from APP Store or Google Play Store. Register and log in.
5. During pairing process, make sure that your IOS or Android device and the device are within the range of your WiFi router.
6. Make sure your router is MAC-open, if not, please cancel the router's MAC filtering setting first

Specifications



Add Device

1. Power up the device by micro-USB or 7 – 32V termina
2. Keep pressing the pairing button (for 5seconds) until led indicator fast blinks
3. Launch the APP, Tap the icon + on the top right to add a device. Then select Electrician → Socket (WiFi), confirm the indicator LED rapidly blinks.
4. Select the 24G WIFI as the one your mobile device connects with, Input correct passwords. Then, Tap Next.
5. It will auto-connect with the device. The process will take 1 minute. Once the process is complete, it will prompt you that you can rename the device. Enter a new name and Save.

⚠ Note: If you fail to add it during the process, it will prompt you the FAQ, please read carefully and retry accordingly.

Inching mode

Once you press the manual switch or control from the app, the relay will activate for 0.7 second, then release automatically.

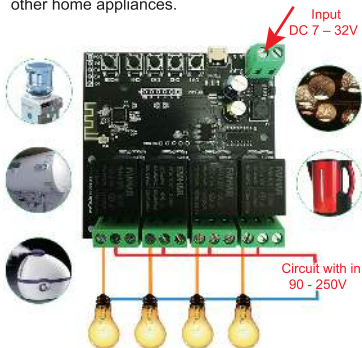
You can use it to control the gate/door opener/ elevator/computer/remote controller key/ any momentary buttons.



Selflock mode

Once you press the manual switch or control from the app, the relay will activate to keep ON or OFF normally

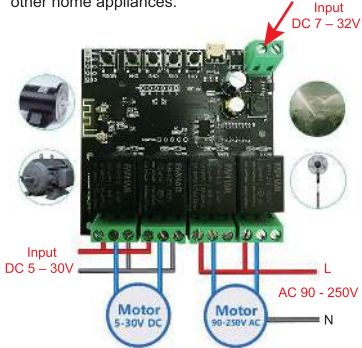
You can use it to control the light/fan/humidifier or other home appliances.



InterLock mode

Once you press the manual switch or control from the app, the relay will activate, but the other relay release automatically.

You can use it to control the motor/curtain or other home appliances.



Work with Alexa

1. Open Alexa APP, tap on the menu on upper left corner, Go to Skills.
2. Enter "Tuya Smart" or "smart life" in the search field and search.
3. Tap "Tuya smart" or "smart life"
4. Enable the skill
5. Enter your account information and tap on "Log in" to link your account to your Amazon account.

Works with Google Home

1. Launch Google Home app, tap the menu.
2. Tap Home control.
3. Under Devices, tap the + icon.
4. Tap "Tuya Smart" or "Smart Life"

