

# Smart Touch Switch

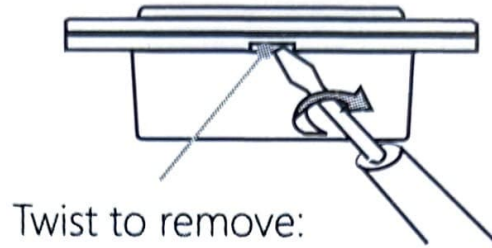


## Features:

1. High quality crystal tempered glass panel design, never fade.
2. With blue LED indicator, very distinguished.
3. Check and Control the Status of the Smart Switch by Mobile APP.
4. Backlight indicator ON/OFF can be by mobile APP.
5. You can set whether to keep the memory function after power off by mobile App : power-off/Power-on/memory of power-off
6. Applicable to incandescent lights, fluorescent lamps, led. lamps ,water heater,ventilator and motor etc.
- 7.Support Amazon Alexa and Google Assistant etc.

# Installation:

1. Open the front cover by a small flat screwdriver

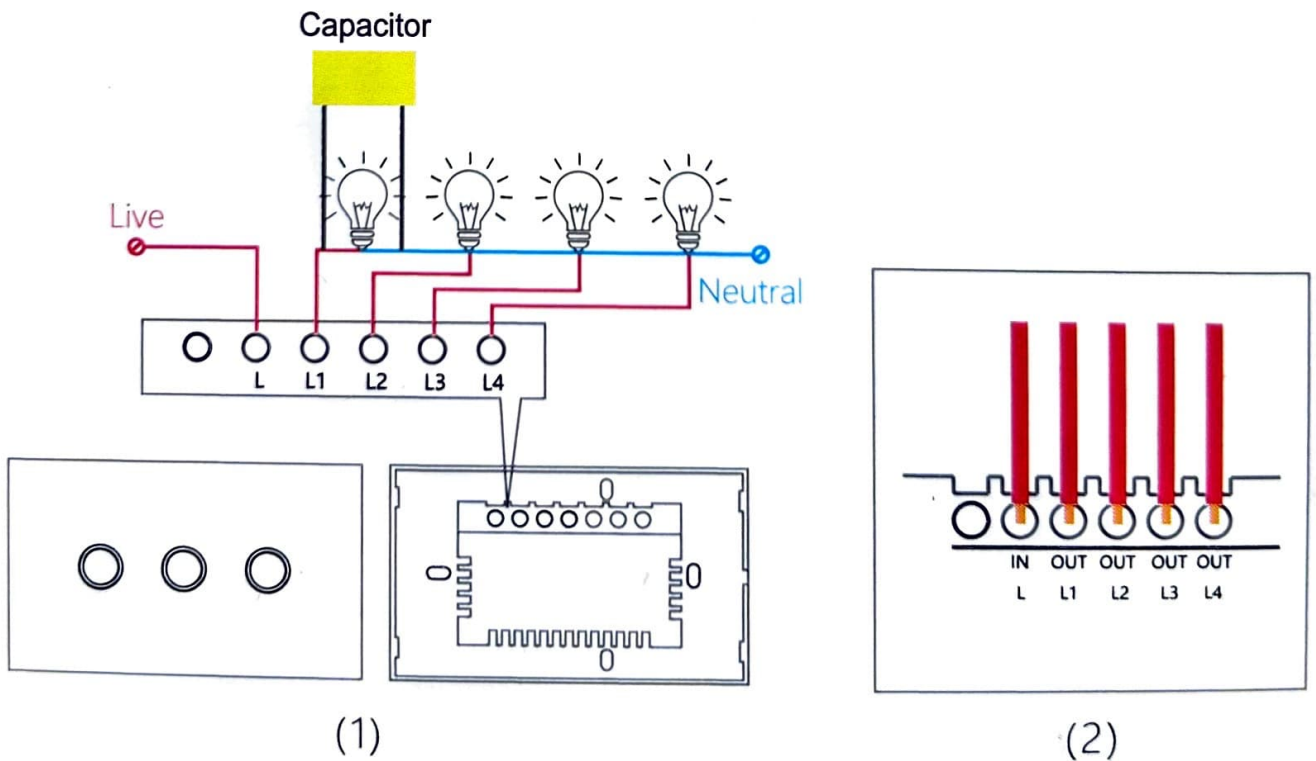


2. Wiring:

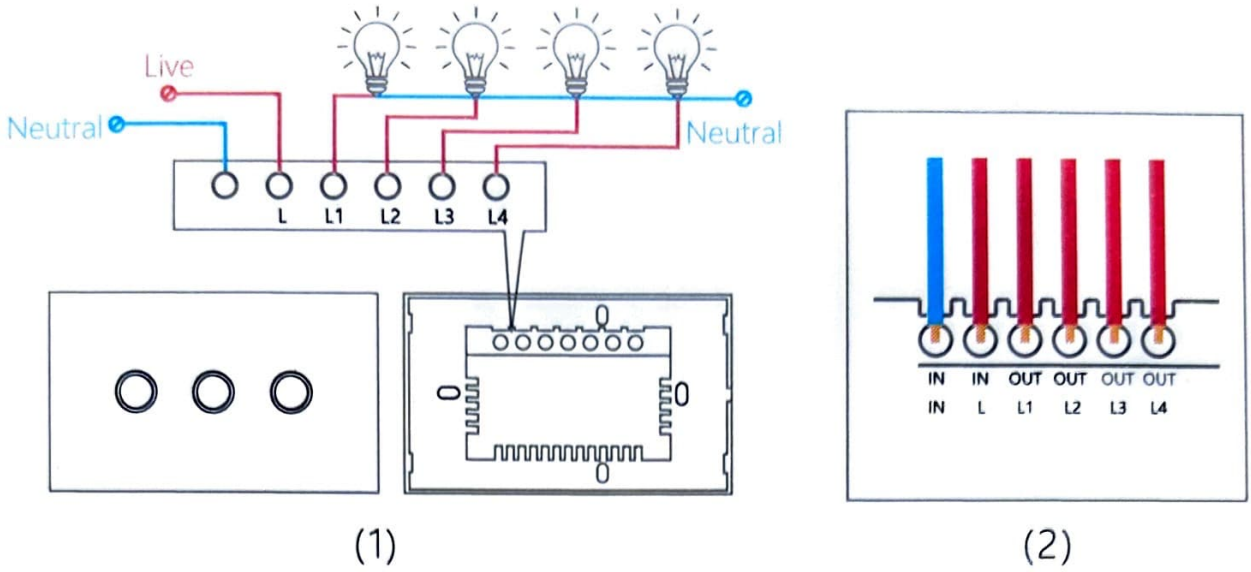
Connect wire to the correct terminal and tighten the screws.

## Solution A : Single live wire connection

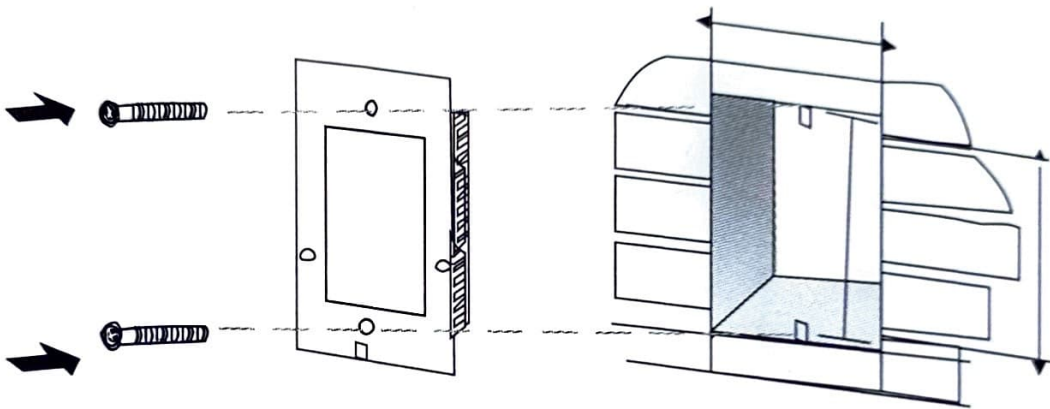
**Attention: The Capacitor must be connected with the 1 st gang (L1) of the lamp between the L and N!**



# Solution B : N and L wire connection

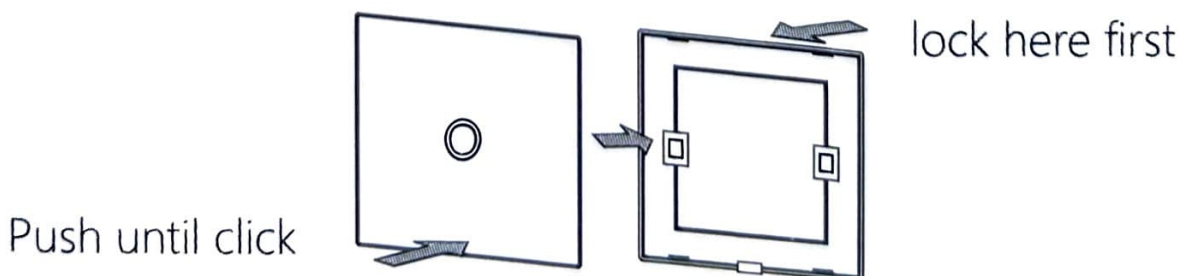


## 3. Fix screws



## 4. Cover the panel and connect the power. (After the power is on, please wait for 3 seconds, then touch to turn on lamps.)

If you make touch testing without glass panel cover, please turn off general power after testing, then put on glass panel cover to switch, and turn on general power again.



**Please scan QR code below to download APP**



Smart Life App

**If turn on the Bluetooth of mobile phone, it will be configured more quickly**

How to configure switch with Smart Life APP ?

Mode 1: Power on the device and confirm indicator is blinking slowly .Then make configuration operations according to the APP's guidelines.

Mode2:Hold any button of panel for 5s until the indicator is blinking slowly. Then make configuration operations according to the APP's guidelines.

How to remove the device from the APP ?

Solution 1:Remove device from APP interface directly

Solution 2: Hold any button of panel for 5s

Attention: Configure mode exit after 3min no operation

## Specification:

Dimension: 120\*72\*33MM  
Voltage: 110-240V AC/50~60Hz  
Output: 1000W/gang

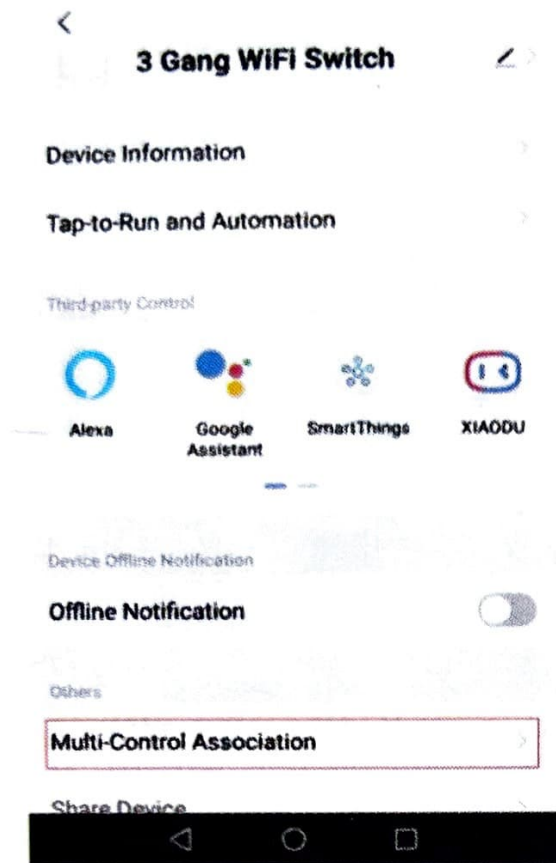
### Warning

1. please installed by certified electrician.
2. Please turn off general power before installation .

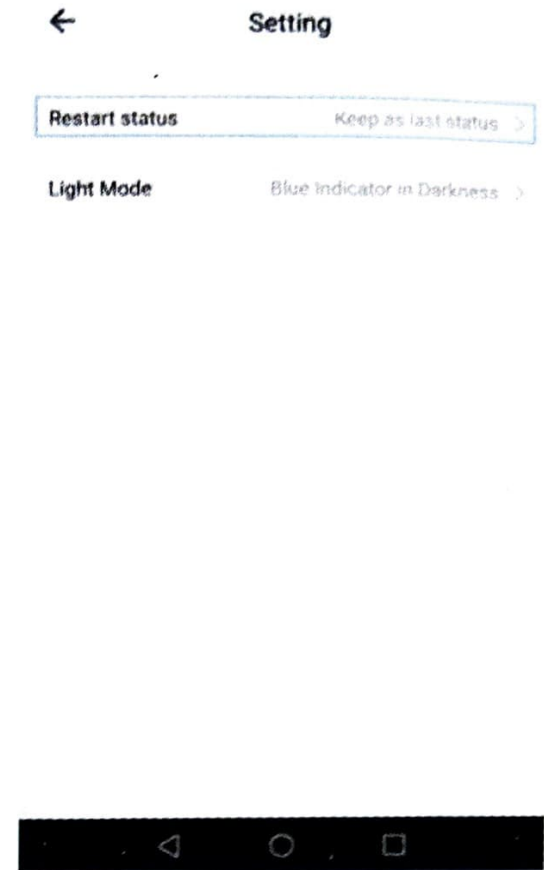
## Warranty

This warranty covers defects in manufacturing that arise from the correct use of the device. It is limited to defects in materials or workmanship and does not cover damage caused by abuse, misuse, unauthorised modification, power surge damage or extreme heat or cold or corrosive environments. The warranty also does not cover the normal wear and tear on covers, cases, housings, connectors and accessories. The warranty does not apply to any product with missing, altered or defaced serial numbers. Your products come with a 12 month manufacturer's warranty as standard.

## 2 Way or 3 Way Switch setting



## Power off memory setting



## Backlight indicator ON/OFF setting

